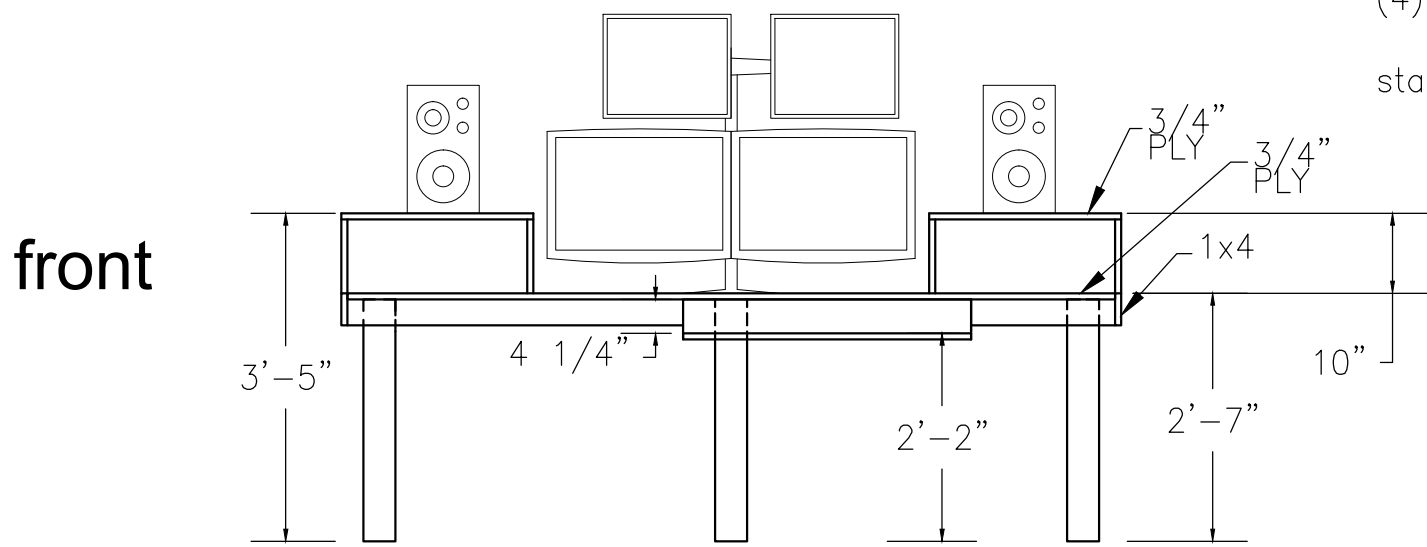


- (2) 1x4 - 10' poplar
 - (1) 1x4 - 12' poplar
 - (2) 4x4 - 10' doug fir #2
 - (1) 3/4" PLY mahogany
 - (4) 2x4 - 8' doug fir #2
- stain mahogany



1/2" = 1'